



## SDC8D38HP SERIES~ High Current Power Inductors

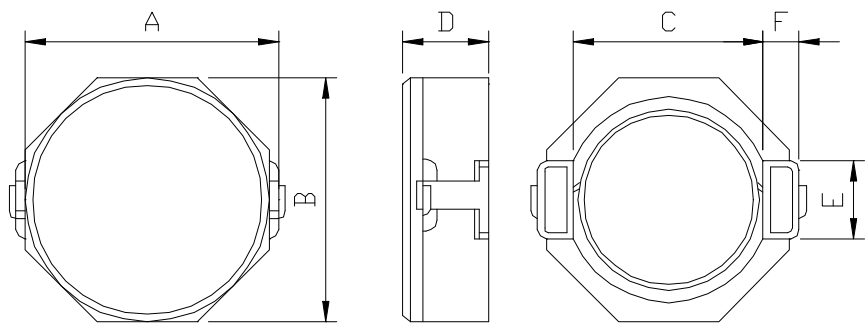


### PART NUMBERING SYSTEM

<b>SDC</b>	<b>8D28HP</b>	—	<b>470N</b>	—	<b>LF</b>
TYPE	DIMENSIONS		INDUCTANCE		LEAD FREE

### SHAPES AND DIMENSIONS

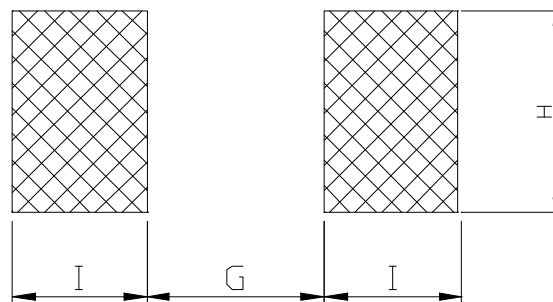
UNIT : mm



A=8.3 max. B=8.3 max. C=6.3 REF D=3.0 max. E=2.5 REF F=1.2 REF

### RECOMMENDED PATTERNS

UNIT : mm



H= 2.80 G= 6.10 I= 2.00 J=2.00

### FEATURES

- Low profile ( 3.00mm max. height ) and 8.3mmx8.3mm max. square.
- Magnetically shielded and low DC resistance .
- Ideal for a variety of DC-DC converter inductor , LCD panels , DVD players Computer and portable power devices applications .

## SDC8D38HP SERIES~ High Current Power Inductors

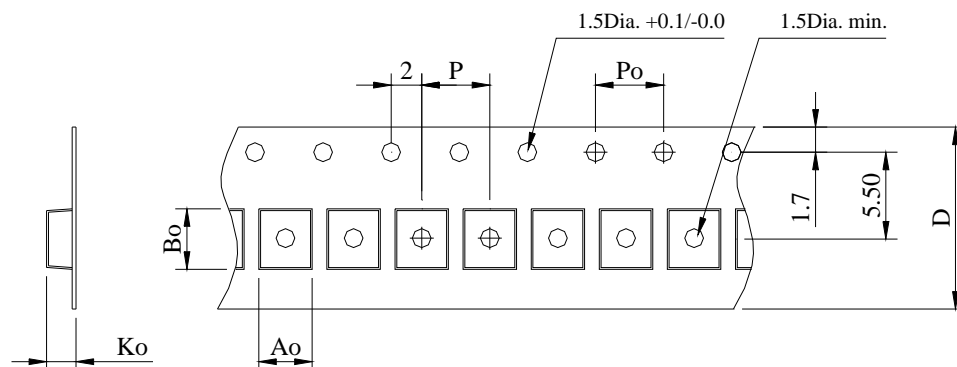


### ELECTRICAL CHARACTERISTICS :

PART NUMBER	INDUCTANCE ( $\mu$ H)	DCR (m $\Omega$ ) (Max.)	Isat (A) ( Max. )	Irms (A) ( Max. )	TEST FREQ. ( freq. )
SDC8D28HP-3R3N-LF	3.3 $\pm$ 30%	35	6.50	3.80	100KHz
SDC8D28HP-4R7N-LF	4.7 $\pm$ 30%	40	4.50	3.60	100KHz
SDC8D28HP-7R3N-LF	7.3 $\pm$ 30%	66	4.00	2.40	100KHz
SDC8D28HP-100N-LF	10 $\pm$ 30%	78	3.40	2.10	100KHz
SDC8D28HP-150N-LF	15 $\pm$ 30%	125	2.80	1.70	100KHz
SDC8D28HP-220N-LF	22 $\pm$ 30%	182	2.50	1.35	100KHz
SDC8D28HP-330N-LF	33 $\pm$ 30%	286	1.90	1.10	100KHz
SDC8D28HP-470N-LF	47 $\pm$ 30%	345	1.60	1.00	100KHz
SDC8D28HP-680N-LF	68 $\pm$ 30%	520	1.30	0.80	100KHz

- Isat : DC current at which the inductance drops 35% (typ) from its value without current.
- Irms: The actual current when temperature of coil becomes  $\Delta 40^{\circ}\text{C}$ . (  $T_a = +25^{\circ}\text{C}$  )
- Operating temperature range  $-40^{\circ}\text{C}$  to  $+125^{\circ}\text{C}$ , Electrical specifications at  $25^{\circ}\text{C}$ .
- Packing : 13" reel, machine-ready ,embossed plastic tape ( 1,000 parts per full reel).

### PACKAGING SPECIFICATION



STAYLE	Q' TY (PCS)	DIMENSIONS (m/m)					
		Ao	Bo	Ko	P	Po	D $\pm 0.3$
13-16	1,000	10.5	8.20	3.10	16.0	4.00	16.0